

RE 18318-23/07.10

1/2

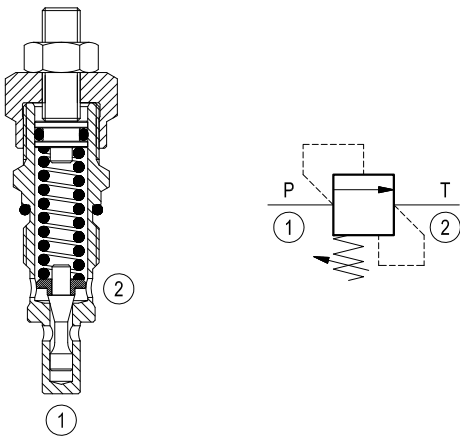
Replaces: RE 00162-02/01.06

Relief, direct acting guided poppet type

Special cavity, 008

VS-30

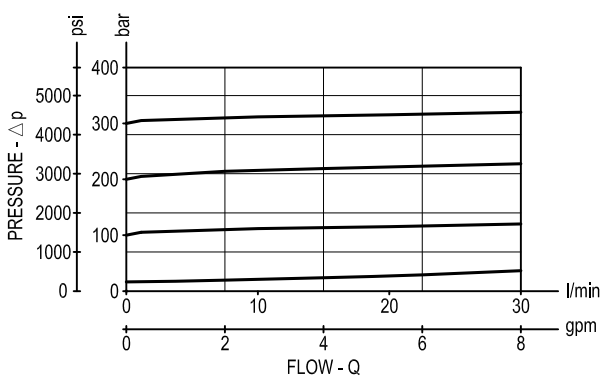
04.11.18 - X - 99 - Z



Description

Flow is blocked from 1 to 2 until pressure increases to meet the selected valve setting, lifting the poppet from its seat and allowing relief flow through 2 to tank. Pressure at 2 is additive to the relief setting of the valve. The unique Bosch Rexroth Oil Control poppet design provides enhanced stability at all flows and pressures.

Performance



Technical data

Max. operating pressure port 1 (P)	bar (psi)	350 (5000)
Max. pressure admitted port 2 (T)	bar (psi)	140 (2000)
Max. flow	l/min. (gpm)	30 (8)
Max. internal leakage (*)	drops/min.	15
Fluid temperature range	°C (°F)	-30 to 100 (-22 to 212)
Installation torque	Nm (ft-lbs)	45-50 (33-37)
Weight (**)	kg (lbs)	0.17 (0.38)
Special cavity		008 see data sheet RE 18325-75
Seal kit (***)	code material no.	RG0008010000100 R930001692
Fluids		Mineral-based or synthetics with lubricating properties at viscosities of 10 to 500 mm ² /s (cSt)
Filtration		Nominal value max. 10µm (NAS 8) ISO 4406 19/17/14
Installation		No restrictions
Other Technical Data		See data sheet RE 18350-50

(*) at 80% of pressure setting

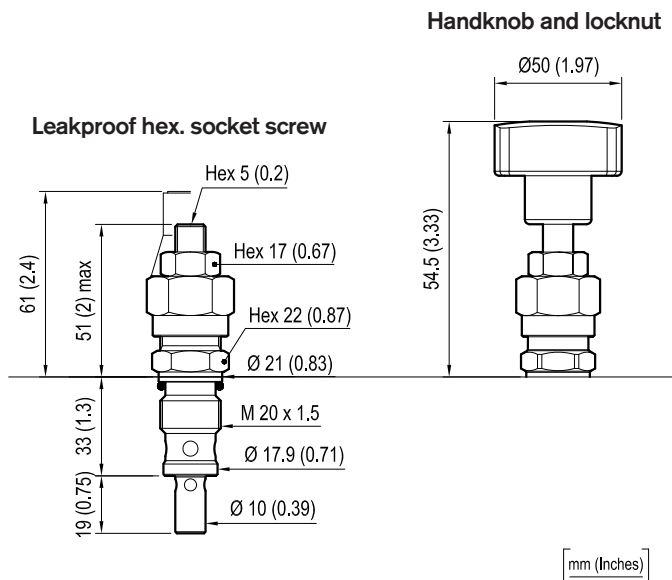
(**) Standard version 03 type

(***) Only external seals for 10 valves

Dimensions

OPTION

Tamper resistant cap
 ordering code **11.04.23.003**
 Mat. no. **R930000754**



Ordering code

04.11.18	X	99	Z	00	*
----------	---	----	---	----	---

Series 0/A to L
 unchanged performances and dimensions

Relief, direct acting guided
 poppet type

Adjustments

= 03 Leakproof hex. socket screw

= 04 Handknob and locknut

Special cavity, 008

Version and options standard

SPRINGS			
	Adj. press. range bar (psi)	Pressure increase bar/turn (psi/turn)	Std. setting bar (psi) (Q=5 l/min)
= 05	5-50 (75-725) (*)	12 (174)	50 (725)
= 10	30-100 (435-1450)	24 (348)	100 (1450)
= 20	50-210 (725-3000)	47 (682)	200 (2900)
= 35	100-350 (1450-5000)	82 (1189)	350 (5000)

Note: Special settings available. Contact factory authorized representative for ordering code
 (*) minimum pressure setting intended with Q=5 l/min (1.3 gpm)

Type	Material number
041118039905000	R901113613
041118039910000	R901113614
041118039920000	R901226876
041118039935000	R901113617
041118049905000	R930000148

Type	Material number
041118049910000	R930000149
041118049920000	R901127942
041118049935000	R930000151